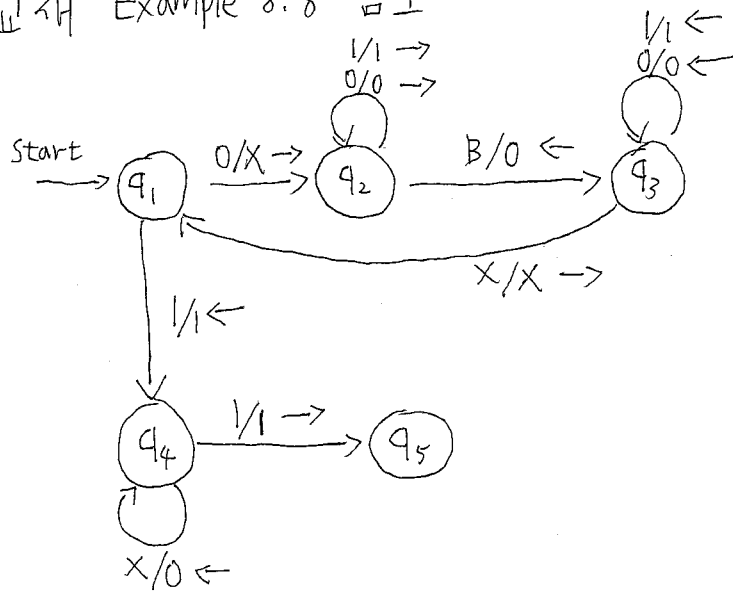
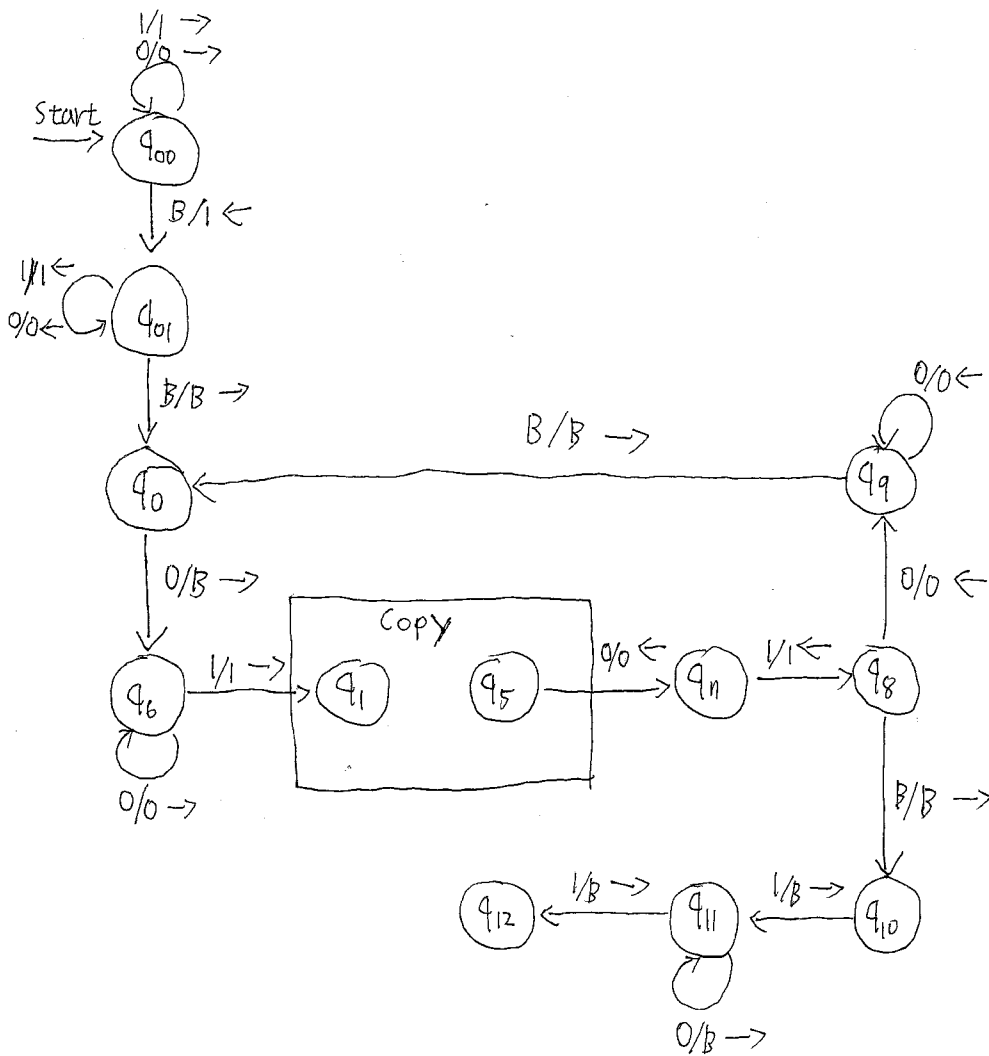


HW10 Solution

주교재 Example 8.8 참고



The subroutine Copy



The multiplication program using the subroutine Copy

q12: a accepting state