

Chap. 2 Finite Automata

2.1 An Informal Picture of Finite Automata ([See 2nd Edition](#))

A man with a wolf, goat, and cabbage is on the left bank of a river

A boat carries one man and only one of the other three.

*The wolf eats the goat **without the man**.*

*The goat eats the cabbage **without the man**.*

Is it possible to cross the river without the goat or cabbage being eaten?

states: occupants of each bank after a crossing

16 subsets of the man(m), wolf(W), goat(G), and cabbage(C).

16 states: $mWGC-\emptyset$, $WC-mG$, ..., $\emptyset-mWGC$

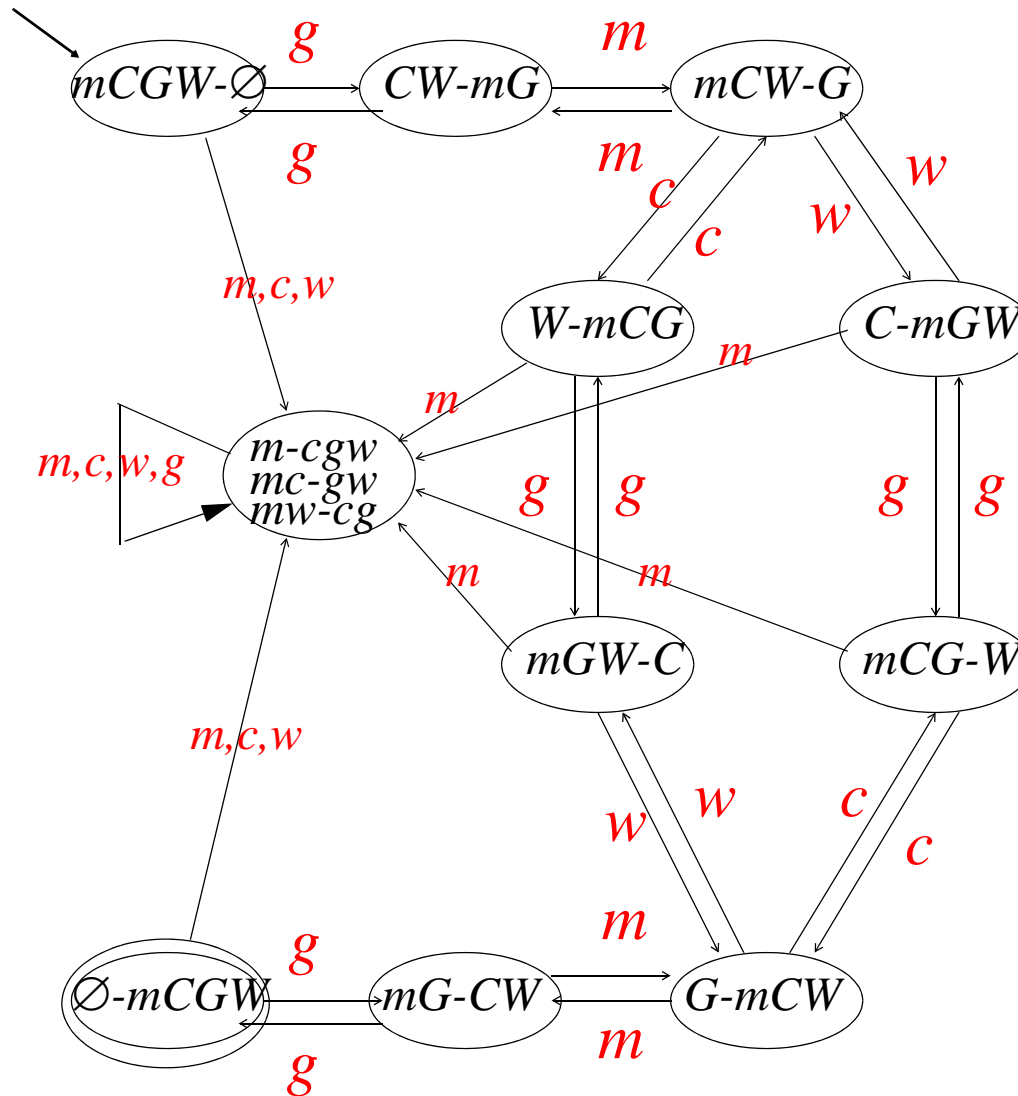
input symbol: four ways of crossing the river

A man crosses alone(m) with the wolf(w), goat(g), or cabbage(c).

input string: a sequence of crossings (input symbols = $\{m, w, g, c\}$)

state transition: From a state to another state

*by an **input symbol** (crossing)*



2.2 Deterministic Finite Automata(DFA)

2.2.1 Definition of a DFA

A *deterministic finite automaton* $A = (Q, T, \delta, q_0, F)$ consists of:

1. A *finite set of states*, denoted Q ,
2. A *finite set of input symbols*, denoted T , Σ in the text
3. A *transition function*,

$$\delta: Q \times T \rightarrow Q$$

Let $p, q \in Q$, and $a \in T$, if we write $\delta(q, a) = p$, meaning that when **current** state is in q and **input** symbol is a , the current state is changed to p , and input symbol is **changed** to the **next(right)** one.

4. A *start(initial) state*, $q_0 \in Q$, and
5. A *set of final or accepting states*, $F \subseteq Q$.

A DFA $A = (Q, T, \delta, q_0, F)$ “five-tuple” notation

2.2.2 How a DFA Processes Strings

How a DFA decides whether or not “accept”

a *input string* (sequence of input symbols)

Suppose $a_1a_2 \dots a_n$ is a sequence of input symbols

1. We start out the DFA with in its **start** state q_0 .
2. We consult the **transition function**, δ ,
with current state and current input symbol,
assume in the first trial $\delta(q_0, a_1) = q_1$,
3. **Repeat** this step with the **next** state q_1 and the **next** input symbol a_2 .
Assume $\delta(q_1, a_2) = q_2, \delta(q_2, a_3) = q_3, \dots, \delta(q_{n-1}, a_n) = q_n$.
4. **Finally**, check if $\delta(q_{n-1}, a_n) = q_n \in F$ or not.

If $q_n \in F$, **accept** $a_1a_2 \dots a_n$. If $q_n \notin F$ **does not accept** $a_1a_2 \dots a_n$.

$\delta(\delta(\dots\delta(\delta(q_0, a_1), a_2), \dots), a_{n-1}), a_n) = q_n$

where $\delta(q_{i-1}, a_i) = q_i$ for $1 \leq \forall i \leq n$.

function *DFA*(

$\underline{D} = (Q: \text{set of states}, T: \text{set of symbols}, \delta: Q \times \Sigma \rightarrow Q, q_0 \in Q, F \subseteq Q);$

$\underline{x} = a_1 a_2 \dots a_n \in T^*$ */* ($\underline{D}; \underline{x} \in T^*$) are two formal parameters */*

/ \underline{D} has five tuples, $\underline{D} = (Q, T, \delta, q_0, F)$ */*

return { \underline{D} accept \underline{x} , \underline{D} \neg accept \underline{x} }

$q \in Q, i \in \mathbb{N};$ */* q and i are two local variables */*

$q, i := q_0, 1;$

do $i \leq n \rightarrow$ **if** $\exists \delta(q, a_i) \rightarrow q, i := \delta(q, a_i), i+1$

$\neg \exists \delta(q, a_i) \rightarrow$ **return** \underline{D} \neg accept \underline{x}

fi

od

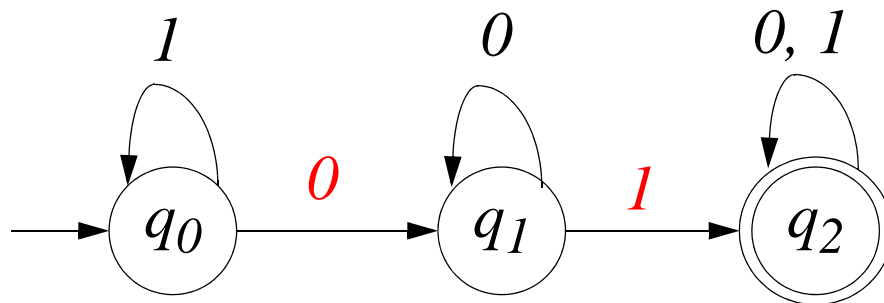
if $q \in F \rightarrow$ **return** \underline{D} accept \underline{x} | $q \notin F \rightarrow$ **return** \underline{D} \neg accept \underline{x} **fi**

end function *DFA*.

2.2.3 Simple notations for DFA's

Example 2.2 Let $T = \{0, 1\}$ and $L = \{x01y \in T^* \mid x, y \in T^*\}$.
 substring **01**. $(0 \mid 1)^*01(0 \mid 1)^*$.

1. **Transition diagram** Figure 2.4 in p. 48.



State q_0 : *initial state*

If it sees **0**, go to a **new state q_1** . If it sees **1** **stay** in the state q_0 .
 It has **never** seen 0.

State q_1 : *The last symbol it has seen is 0.*

If it sees **1**, go to a **new state q_2** . If it sees **0**, **stay** in the state q_1 .

State q_2 : *It has **ever** seen is 01.* **final** state

Whether it sees **0** or **1**, **stay** in the state q_2 .

2. Transition table Figure 2.5 in p. 49.

		0	1
→	q_0	q_1	q_0
	q_1	q_1	q_2
*	q_2	q_2	q_2

Formal definition of DFA D

$D = (Q, T, \delta, q_0, F)$ where

1. $Q = \{q_0, q_1, q_2\}$
2. $T = \{0, 1\}$
3. $\delta = \{\delta(q_0, 0)=q_1, \delta(q_0, 1)=q_0, \delta(q_1, 0)=q_1, \delta(q_1, 1)=q_2, \delta(q_2, 0)=q_2, \delta(q_2, 1)=q_2\}$
4. $q_0 \in Q$
5. $F = \{q_2\}$

2.2.4 Extend the domain of transition function from symbols to **strings**

$$\delta: Q \times T \rightarrow Q$$

$$\hat{\delta}: Q \times T^* \rightarrow Q$$

$$\hat{\delta}(q, \varepsilon) =_B q \quad \text{basis}$$

$$\hat{\delta}(q, xa) =_R \delta(\hat{\delta}(q, x), a) \quad \text{recursion} \quad (2.1)$$

$$q \in Q, x \in T^*, a \in \Sigma, xa \in T^+.$$

$$\hat{\delta}(q_0, a_1 a_2 \dots a_n) =_R \delta(\hat{\delta}(q_0, a_1 a_2 \dots a_{n-1}), a_n) \quad \text{1st recursion}$$

$$=_R \delta(\delta(\hat{\delta}(q_0, a_1 a_2 \dots a_{n-2}), a_{n-1}), a_n) \quad \text{2nd recursion}$$

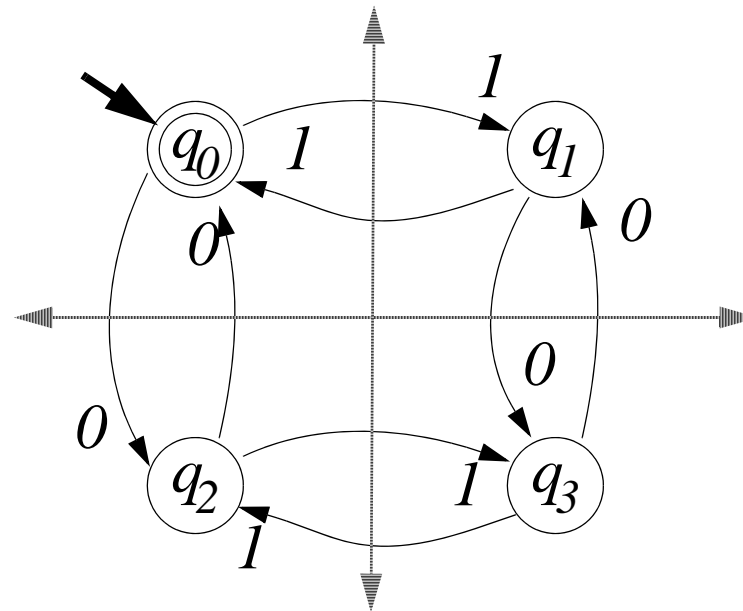
$$=_R \dots$$

$$=_R \delta(\delta(\dots \delta(\delta(\hat{\delta}(q_0, \varepsilon), a_1), a_2), \dots), a_{n-1}), a_n) \quad \text{n-th recursion}$$

$$=_B \delta(\delta(\dots \delta(\delta(q_0, a_1), a_2), \dots), a_{n-1}), a_n) \quad \text{basis}$$

We may use δ^* instead of $\hat{\delta}$ to show that the 2nd domain of δ is T^* .

Example 2.4 in p. 50.



Even numbers of 0's and even numbers of 1's.

2.2.5 The Language of DFA

We *define* the language of a DFA $D = (Q, T, \delta, q_0, F)$, $L(D)$,

$$L(D) = \{w \in T^* \mid \delta^*(q_0, w) \in F\}.$$

$$L(D) \subseteq T^* \text{ or } L(D) \in 2^{T^*}.$$

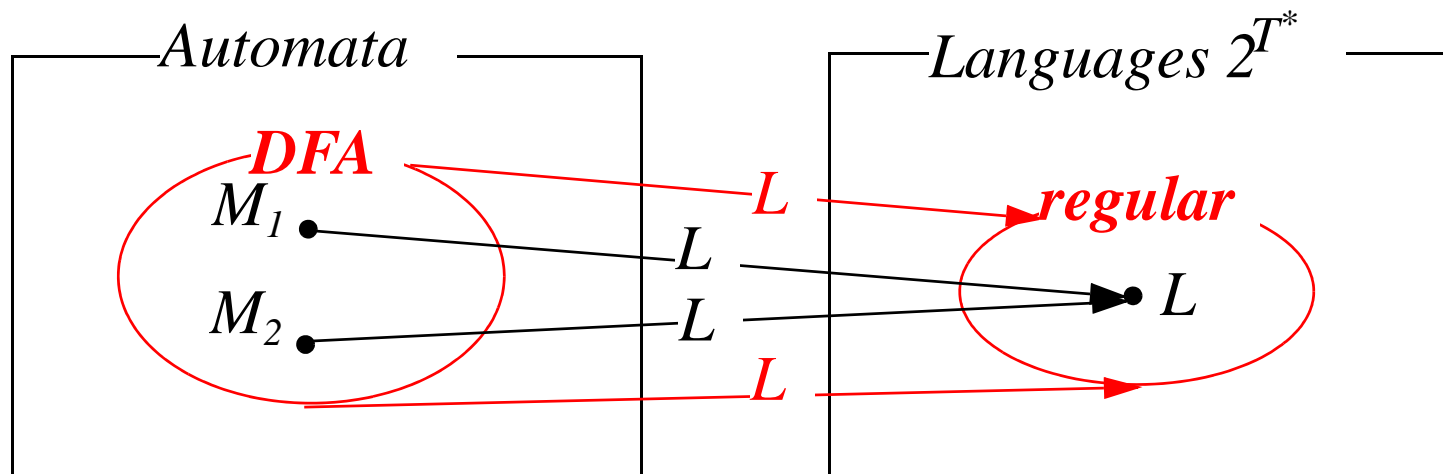
Def. A Class of Regular languages

Let L be a language.

If $L = L(A)$ for some **DFA** A , then we say L is a **regular language**.

A class of regular languages

type-3 languages in Chomsky's language hierarchy



Def. Equivalence of two Automata

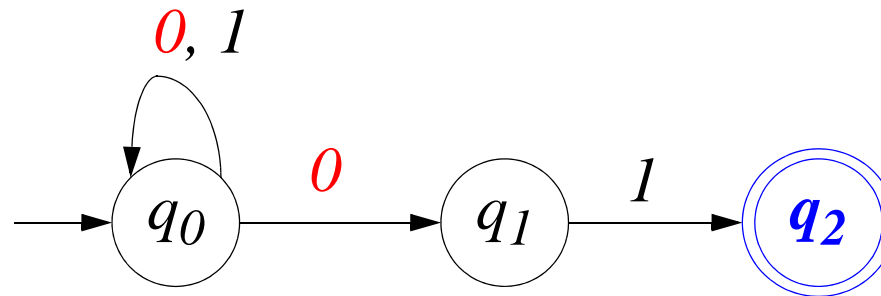
Let M_1 and M_2 be two automata. We say two automata M_1 and M_2 are **equivalent**, if $L(M_1) = L(M_2) = L$.

2.3 Nondeterministic Finite Automata(NFA)

2.3.1 An Informal View of NFA

Example 2.9 An NFA accepting all strings that ends in 01(postfix 01).

Fig. 2.9(p. 56)



Consider an input string $00101 \in \{0, 1\}^*$.

$q_0 \xrightarrow{0} q_0 \xrightarrow{0} q_0 \xrightarrow{1} q_0 \xrightarrow{0} q_0 \xrightarrow{1} q_0 \notin F(\text{fail})$

$q_0 \xrightarrow{0} q_1 \xrightarrow{0} X(\text{stuck})$

$q_0 \xrightarrow{0} q_0 \xrightarrow{0} q_1 \xrightarrow{1} q_2 \xrightarrow{0} X(\text{stuck})$

$q_0 \xrightarrow{0} q_0 \xrightarrow{0} q_0 \xrightarrow{1} q_0 \xrightarrow{0} q_1 \xrightarrow{1} q_2 \in F(\text{success})$

DFA: $\delta: Q \times T \rightarrow Q$

$$\forall q \in Q, \forall a \in T, \exists \delta(q, a) \in Q.$$

(total) function

$$\exists q \in Q, \exists a \in T. \nexists \delta(q, a).$$

partial function

If $A = (Q, T, \delta, q_0, F)$ be a FA with $\delta: Q \times T \rightarrow Q$ *partial function*,

$L(A) = L(B)$ for DFA $B = (Q \cup \{d\}, T, \delta', q_0, F)$ where $d \notin Q$,

$$\delta' = \delta \cup \{\delta(q, a) = d \mid \delta(q, a) \notin Q\} \cup \{\delta(d, a) = d \mid a \in T\}$$

d : *dead state*

B is the DFA (with *total function*) but?

Dead state:

“ $m-cgw, mc-gw, mw-cg$ ” state in the 1st Example.

eliminate the state and relevant transition functions \rightarrow *partial function*.

DFA: $\delta: Q \times T \rightarrow Q.$

DFA but *partial function*: $\delta: Q \times T \rightarrow Q \cup \{\emptyset\}.$

NFA: $\delta: Q \times T \rightarrow 2^Q.$

2.3.2 Definition of NFA

$A = (Q, T, \delta, q_0, F)$ is a *nondeterministic finite automaton*(NFA), if

1. Q is a *finite set of states*,
2. T is a *finite set of input symbols*,
3. δ is a *transition function*,

$$\delta: Q \times T \rightarrow 2^Q.$$

If $q \in Q$, $a \in T$, and $\{p_1, p_2, \dots, p_n\} \subseteq Q$ ($1 \leq \forall i \leq n, p_i \in Q$) then we write $\delta(q, a) = \{p_1, p_2, \dots, p_n\}$, meaning that when current state is in q and input symbol is a , the state may be changed to **any** one of p_1, p_2, \dots, p_n , and input symbol is changed to the next(right) one.

4. $q_0 \in Q$ is a *start state*, and
5. $F \subseteq Q$ is a set of *final or accepting states*.

2.3.3 The Extended Transition Function

DFA: $\delta: Q \times T \rightarrow Q$ Definition

$$\delta^*: Q \times T^* \rightarrow Q \quad \hat{\delta}: Q \times \Sigma^* \rightarrow Q \text{ in the text}$$

NFA: $\delta: Q \times T \rightarrow 2^Q$ Definition

$$\delta': 2^Q \times T \rightarrow 2^Q \quad \text{1st set extension in this lecture}$$

$$\delta'^*: 2^Q \times T^* \rightarrow 2^Q \quad \text{2nd string extension in this lecture}$$

$$\hat{\delta}: Q \times \Sigma^* \rightarrow 2^Q \text{ in the text}$$

Two step extensions

1. Set extension: $\delta \Rightarrow \delta'$: We extend the 1st domain of δ' to set of states.

$$\delta': 2^Q \times T \rightarrow 2^Q.$$

Let $P \subseteq Q$. Then we define

$$\delta'(P, a) = \{q \in Q \mid p \in P, q \in \delta(p, a)\}$$

$$\text{or} \quad = \cup_{p \in P} \delta(p, a)$$

We may write $\delta'(p, a)$ **instead** of $\delta'(\{p\}, a)$ when needed.

2. String extension: $\delta' \Rightarrow \delta'^*$ (same as $\delta \Rightarrow \hat{\delta} = \delta^*$)

$$\delta'^*: 2^Q \times T^* \rightarrow 2^Q.$$

$$\delta'^*(P, \varepsilon) =_B P \quad \text{basis}$$

$$\delta'^*(P, wa) =_R \delta'(\delta'^*(P, w), a) \quad \text{recursion}$$

$$P \subseteq Q (\text{or } P \in 2^Q), w \in T^*, a \in T, wa \in T^+.$$

We may **write** δ and δ^* instead of δ' and δ'^* since $\delta \subseteq \delta'$.

2.3.4 The Language of an NFA

Let $N = (Q, \Sigma, \delta, q_0, F)$ be an NFA. Then the language defined by the NFA N , denoted as $L(N)$ is,

$$L(N) = \{w \in T^* \mid \delta^*(q_0, w) \cap F \neq \emptyset\}.$$

$$L(N) \subseteq T^* \text{ or } L(N) \in 2^{T^*}.$$

2.3.5 Equivalence of DFA and NFA

Example 2.10(Fig. 2.12)

Thm 2.11 Subset Construction(NFA \Rightarrow DFA) $Q_D = 2^{Q_N}$.

Given an NFA $N = (Q_N, T, \delta_N, q_{0N}, F_N)$,

construct a DFA $D = (Q_D, \Sigma, \delta_D, q_{0D}, F_D)$ such that $L(D) = L(N)$.

- $Q_D = \{P \mid P \subseteq Q_N\} = 2^{Q_N}$.

- $\delta_D(P, a) = \{q \in Q_N \mid p \in P \subseteq Q_N, q \in \delta_N(p, a)\} \subseteq Q_N$ or $\in Q_D$.

or $= \cup_{p \in P} \delta_N(p, a)$

or $= \delta_N'(P, a)$ **set extension of δ_N .**

$\delta_D(P, a) = \delta_N'(P, a)$ or $\delta_D = \delta_N'$ for short,

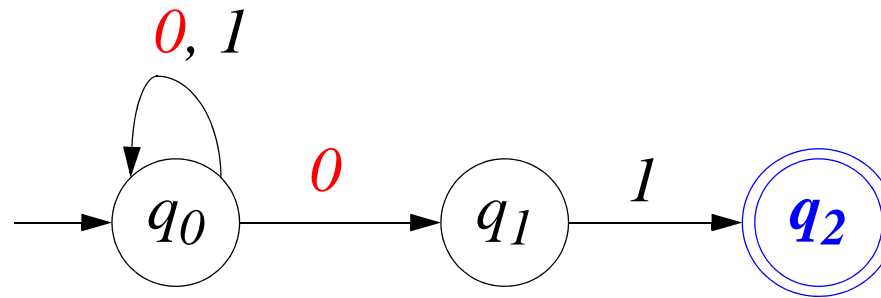
where $\delta_D: Q_D \times T \rightarrow Q_D$, $\delta_N': 2^{Q_N} \times T \rightarrow 2^{Q_N}$, and $Q_D = 2^{Q_N}$.

- $q_{0D} = \{q_{0N}\}$.

- $F_D = \{F \in Q_D \mid F \cap F_N \neq \emptyset\}$

Example 2.10 NFA of Fig. 2.9(p. 56)

postfix **01**.



Transition table for NFA

	0	1	
→ q_0	$\{q_0, q_1\}$	$\{q_0\}$	$\delta(q_0, 0) = \{q_0, q_1\}$: NFA
q_1	\emptyset	$\{q_2\}$	
* q_2	\emptyset	\emptyset	

Transition table for DFA

$2^3 = 8$ subset-states (See Fig. 2.12 in p. 61)

	0	1		0	1
	\emptyset	\emptyset		$\{q_0, q_1\}$	$\{q_0, q_1, q_2\}$
→ $\{q_0\}$	$\{q_0, q_1\}$	$\{q_0\}$	*	$\{q_0, q_2\}$	$\{q_0\}$
$\{q_1\}$	\emptyset	$\{q_2\}$	*	$\{q_1, q_2\}$	$\{q_2\}$
* $\{q_2\}$	\emptyset	\emptyset	*	$\{q_0, q_1, q_2\}$	$\{q_0, q_1, q_2\}$

Starting from $\{q_0\}$ See Fig. 2.14 in p. 63.

	0	1		0	1	
$\rightarrow \{q_0\}$	$\{q_0, q_1\}$	$\{q_0\}$	\rightarrow	$[\epsilon]$	$[0]$	$[\epsilon]$
$\{q_0, q_1\}$	$\{q_0, q_1\}$	$\{q_0, q_2\}$		$[0]$	$[0]$	$[01]$
* $\{q_0, \mathbf{q_2}\}$	$\{q_0, q_1\}$	$\{q_0\}$	*	$[01]$	$[0]$	$[\epsilon]$

Only 3 subset-states are reachable from the initial state $\{q_0\}$.

Renaming of states $\{q_0\} \leftrightarrow [\epsilon]$, $\{q_0, q_1\} \leftrightarrow [0]$, and $\{q_0, \mathbf{q_2}\} \leftrightarrow [01]$.

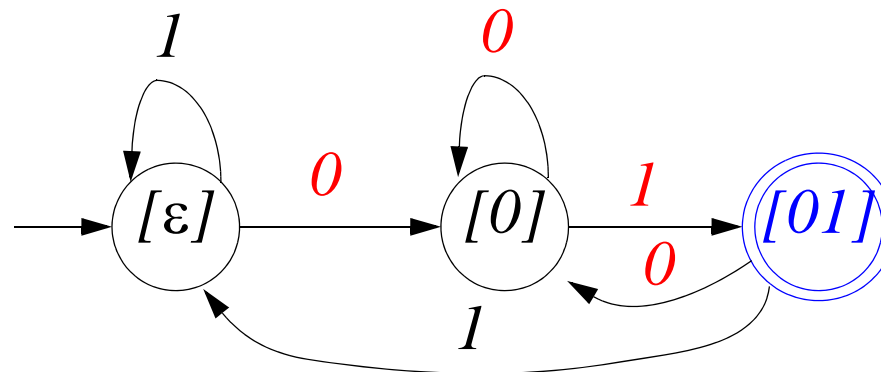


Fig. 2.14 DFA from Fig. 2.9 accepting strings that end in 01.(postfix 01)

Thm. 2.11 $L(D) = L(N)$ in the above subset construction

Proof $\delta_D^*(q_{0D}, w) = \delta_N'^*(\{q_{0N}\}, w)$ for all $w \in \Sigma^*$.

$$\delta_D^*: Q_D \times T^* \rightarrow Q_D (= 2^{Q_N} \times \Sigma^* \rightarrow 2^{Q_N}).$$

$\delta_N'^*: 2^{Q_N} \times T^* \rightarrow 2^{Q_N}$. We may use q_{0N} instead of $\{q_{0N}\}$.

Induction on $|w|$.

basis: Let $|w| = 0$, $\delta_D^*(q_{0D}, \varepsilon) = \delta_D^*(\{q_{0N}\}, \varepsilon) = \{q_{0N}\} = \delta_N'^*(\{q_{0N}\}, \varepsilon)$.

induction: Let $w = xa$ where $a \in T$, $x \in T^*$, and $w \in T^+$. ($|w| = |x| + 1$)

$$\begin{aligned} \delta_D^*(q_{0D}, xa) &= \delta_D(\delta_D^*(\{q_{0N}\}, x), a) && \text{by definition of } \delta_D^* \\ &= \delta_N'(\delta_D^*(\{q_{0N}\}, x), a) && \text{by subset construction} \\ &= \delta_N'(\delta_N'^*(\{q_{0N}\}, x), a) && \text{by induction hypothesis} \\ &= \delta_N'^*(\{q_{0N}\}, xa) && \text{by definition of } \delta_N'^*. \end{aligned}$$

$\delta_D^*(q_{0D}, x) \in F_D$, if and only if, $\delta_N'^*(q_0, x) \cap F_N \neq \emptyset$. $\therefore L(D) = L(N)$.

Thm. 2.12 A language L is defined by some DFA, if and only if L is defined by some NFA. ($NFA \Leftrightarrow DFA$)

Proof: (If) subset construction ($NFA \Rightarrow DFA$) **Thm. 2.11**

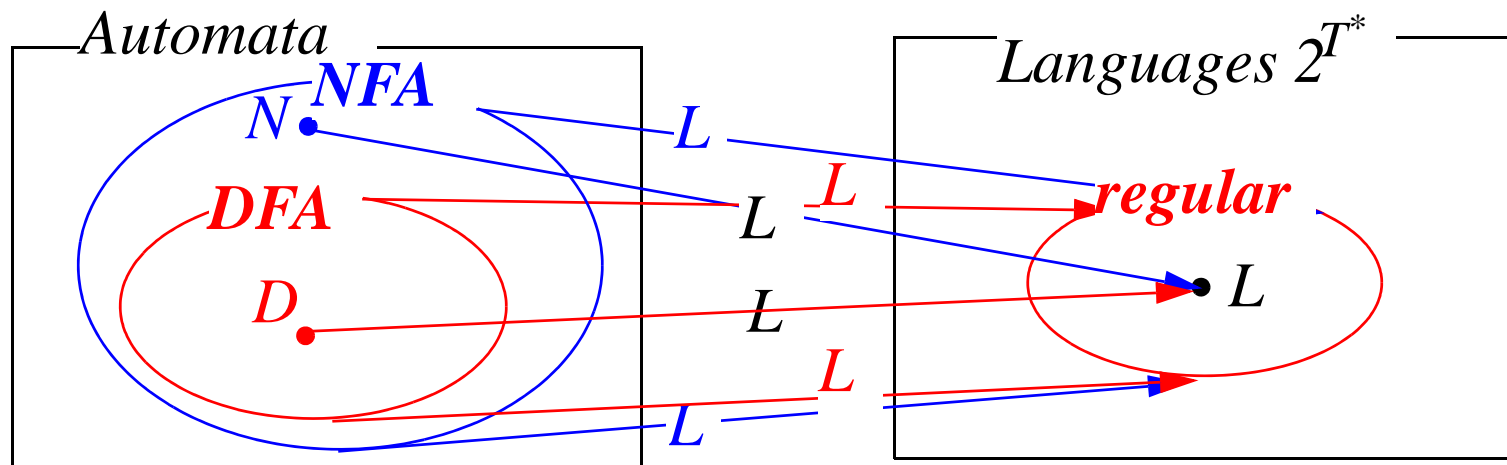
(Only if) NFA can easily simulate DFA ($DFA \Rightarrow NFA$).

Let a DFA $D = (Q, T, \delta_D, q_0, F)$. We define an NFA (Q, T, δ_N, q_0, F)

$$\delta_N(q, a) = \{p \mid \delta_D(q, a) = p\}.$$

Proof for $\forall w \in \Sigma^*$, if and only if, $\hat{\delta}_D(q, w) = p$, then $\hat{\delta}_N(q, w) = \{p\}$.

$\therefore L$ is **regular**, iff $L = L(N)$ for some NFA N .



2.3.6 A Bad Case for the Subset Construction

See Ex. 2.13 (p64-65)

$$(0+1)^*1(0+1)^{n-1}.$$

The state of DFA

summarizes the information concerning **past inputs** that is needed to **determine** the **behaviour** of the automata on **subsequent inputs**.

Aho and Ullman in the 2nd Edition.

$$\begin{array}{ll}
 [(0+1)^*] \xrightarrow{1} [(0+1)^*1] \xrightarrow{0} [(0+1)^*10] \xrightarrow{0} [(0+1)^*100] & \Rightarrow^* [(0+1)^*10^{n-2}0] \\
 & \Rightarrow^* [(0+1)^*10^{n-2}1] \\
 & \rightarrow^1 [(0+1)^*101] \quad \dots \\
 & \dots \\
 & \rightarrow^1 [(0+1)^*11] \xrightarrow{0} [(0+1)^*110] \quad \dots \\
 & \dots \\
 & \rightarrow^1 [(0+1)^*111] \quad \dots \\
 & \Rightarrow^* [(0+1)^*11^{n-2}0] \\
 & \Rightarrow^* [(0+1)^*11^{n-2}1]
 \end{array}$$

2.4 An Application: Text Search Read text

2.5 Finite Automata with Epsilon-Transitions

$A = (Q, T, \delta, q_0, F)$ is a fa with epsilon transition (ϵ -NFA), if

$Q, T, q_0,$ and F are same as NFA, but

3. δ is a transition function,

$$\delta: Q \times (T \cup \{\epsilon\}) \rightarrow 2^Q.$$

If $q \in Q$ and $\{p_1, p_2, \dots, p_n\} \subseteq Q,$

then we write $\delta(q, \epsilon) = \{p_1, p_2, \dots, p_n\},$ meaning that

when current state is in q and **regardless** of input symbol

the state may be changed to **any** one of $p_1, p_2, \dots, p_n,$

and next input symbol is **not changed**.

Ex. 2.16 in Fig. 2.18 for an ϵ -NFA accepting decimal numbers in p. 73.

Ex. 2.17 in Fig. 2.19 for an ϵ -NFA

accepting keywords “web” and “ebay” in p. 73.

2.5.3 Epsilon-closure

basis: $q \in \varepsilon^*(q)$ (same as $ECLOSE(q)$ in the text)

recursion: If $p \in \varepsilon^*(q)$, and $r \in \delta(p, \varepsilon)$, then $r \in \varepsilon^*(q)$.

Example 2.19 in p. 74.

Why $\varepsilon^*(q)$ instead of $ECLOSE(q)$

Let $\varepsilon = \{(p, q) \in Q \times Q \mid q \in \delta(p, \varepsilon)\}$.

Then $\varepsilon \subseteq Q \times Q$ (a binary relation on Q)

and $ECLOSE(q) = \varepsilon^*(q)$ **reflexive-transitive closure of ε .**

2.5.4 The Extended Transition and Language for ε -NFA's

NFA: $\delta: Q \times T \rightarrow 2^Q$.

ε -NFA: $\delta: Q \times (T \cup \{\varepsilon\}) \rightarrow 2^Q$.

Let's *divide* δ of ε -NFA into δ^1 and $\delta^0 (= \varepsilon)$.

$\delta^1: Q \times T \rightarrow 2^Q$.

$\delta^0: Q \times \{\varepsilon\} \rightarrow 2^Q$.

$\delta = \delta^1 \cup \delta^0$.

δ^1 : is *same* as δ in NFA, we use δ *instead* of δ^1 , since $\delta^1 = \delta$.

$\delta^0 \leftrightarrow_f \varepsilon$ what is the *bijection* f ? We use ε *instead* of δ^0 .

$\varepsilon = \{(p, q) \in Q \times Q \mid q \in \delta(p, \varepsilon)\}$ binary *relation* on Q .

$\varepsilon^* = \bigcup_{i \in \mathbb{N}_0} \varepsilon^i \subseteq Q \times Q$ binary *relation* on Q .

$\varepsilon, \varepsilon^*: Q \rightarrow 2^Q$. *function* from Q to 2^Q .

Let's **extend** the domain of $\delta(=\delta^1)$, ε , and ε^* from **state** to **set of states**.

Let $P \subseteq Q$, we define

$$\delta': 2^Q \times T \rightarrow 2^Q.$$

$$\delta'(P, a) = \{q \in Q \mid p \in P, \delta(p, a) = q\}$$

$$\text{or} \quad = \cup_{p \in P} \delta(p, a)$$

We may write $\delta'(p, a)$ **instead** of $\delta'(\{p\}, a)$ when needed.

We may write $\delta(P, a)$ **instead** of $\delta'(P, a)$ when needed.

$$\varepsilon': 2^Q \rightarrow 2^Q.$$

$$\varepsilon'(P) = \{q \in Q \mid p \in P, \varepsilon(p) = q\}$$

$$\text{or} \quad = \cup_{p \in P} \varepsilon(p)$$

$$\varepsilon'^*: 2^Q \rightarrow 2^Q.$$

$$\varepsilon'^*(P) = \{q \in Q \mid p \in P, \varepsilon^*(p) = q\} = \cup_{p \in P} \varepsilon^*(p)$$

We write $\varepsilon(P)$ **instead** of $\varepsilon'(P)$ and $\varepsilon^*(P)$ **instead** of $\varepsilon'^*(P)$.

Let's **extend** the 2nd domain of δ from **symbol** to **strings**.

$$\delta^*: 2^Q \times T^* \rightarrow 2^Q.$$

$$\delta^*(P, \varepsilon) =_B \varepsilon^*(P) \quad \text{basis}$$

$$\delta^*(P, wa) =_R \varepsilon^*(\delta(\delta^*(P, w), a)) \quad \text{recursion}$$

$$P \subseteq Q (\text{or } P \in 2^Q), w \in \Sigma^*, a \in T, wa \in T^+.$$

$$\delta^n(q_0, a_1 a_2 \dots a_n) =_R \varepsilon^*(\delta(\delta^{n-1}(q_0, a_1 a_2 \dots a_{n-1}), a_n)) \quad \text{1st recursion}$$

$$=_R \varepsilon^*(\delta(\varepsilon^*(\delta(\delta^{n-2}(q_0, a_1 a_2 \dots a_{n-2}), a_{n-1})), a_n)) \quad \text{2nd recursion}$$

$$=_R \dots$$

$$=_R \varepsilon^*(\delta(\varepsilon^*(\delta(\dots \varepsilon^*(\delta(\varepsilon^*(\delta(\delta^0(q_0, \varepsilon), a_1)), a_2)), \dots)), a_{n-1})), a_n)) \quad \text{n-th}$$

$$=_B \varepsilon^*(\delta(\varepsilon^*(\delta(\dots \varepsilon^*(\delta(\varepsilon^*(\delta(\varepsilon^*(q_0), a_1)), a_2)), \dots)), a_{n-1})), a_n)) \quad \text{basis}$$

$$\delta^n = \varepsilon^{* \circ} \delta^{\circ} \varepsilon^{* \circ} \dots \circ \delta^{\circ} \varepsilon^{* \circ} = \varepsilon^{* \circ} (\delta^{\circ} \varepsilon^{* \circ})^n = \varepsilon^{* \circ} (\delta^1)^n. \quad \text{where } \delta^1 = \delta^{\circ} \varepsilon^{* \circ}.$$

$$\therefore \delta^* = \bigcup_{i \in \mathbb{N}_0} \delta^i = \delta^*.$$

2.5.5 Eliminating ε -Transitions

Given an ε -NFA $E = (Q_E, T, \delta_E, q_{0E}, F_E)$, construct the equivalent DFA $D = (Q_D, T, \delta_D, q_{0D}, F_D)$ such that $L(D) = L(N)$.

1. $Q_D = \{P \mid P \subseteq Q_E\} = 2^{Q_E}$.
3. $q_{0D} = \varepsilon^*({q_{0E}})$
4. $\delta_D(P, a) = \varepsilon^*(\delta_E(P, a))$ set extension of δ_E and ε -closure ($\delta^1 = \delta \circ \varepsilon^*$)
where $P \subseteq Q_E$ ($P \in Q_D$), $a \in T$, and
 $\delta_D(P, a) \subseteq Q_E$ (or $\delta_D(P, a) \in Q_D$)
5. $F_D = \{F \in Q_D \mid F \cap F_E \neq \emptyset\}$

Theorem 2.22 A language L is accepted by some ε -NFA if and only if L is accepted by some DFA.

Proof: (If) ε -NFA can easily simulate DFA (DFA \Rightarrow ε -NFA).

(Only if) Eliminating ε -transitions (ε -NFA \Rightarrow DFA)

Let $E = (Q_E, T, \delta_E, q_{0E}, F_E)$ be a ε -NFA and

DFA $D = (Q_D, \Sigma, \delta_D, q_{0D}, F_D)$ is the one in 2.5.5.

We show $\delta_E^*(q_{0E}, w) = \delta_D^*(q_{0D}, w)$ by induction on $|w|$.

basis: $\delta_E^*(q_{0E}, \varepsilon) = \varepsilon^*(q_{0E})$ by basis definition of δ_E^* .
 $= q_{0D}$ by **construction** of δ_D .
 $= \delta_D^*(q_{0D}, \varepsilon)$ by basis definition of δ_D^* .

Induction: Let $w = xa \in T^+$, $a \in T$, and $x \in T^*$.

$\delta_E^*(q_0, xa) = \delta_E(\varepsilon^*(\delta_E^*(q_0, x), a))$ by recursive definition of δ_E^* .
 $= \delta_E(\varepsilon^*(\delta_D^*(q_{0D}, x), a))$ by **induction hypothesis**.
 $= \delta_D(\delta_D^*(q_{0D}, x), a)$ by **construction** of δ_D .
 $= \delta_D^*(q_{0D}, xa)$ by recursive definition of δ_D^* .

ε -NFA Transition Table for Fig. 2.18 in p. 73.

	δ^I	+, -	.	d		ε	ε^*
\rightarrow	q_0	$\{q_1\}$	\emptyset	\emptyset	q_0	$\{q_1\}$	$\{q_0, q_1\}$
	q_1	\emptyset	$\{q_2\}$	$\{q_1, q_4\}$	q_1	\emptyset	$\{q_1\}$
	q_2	\emptyset	\emptyset	$\{q_3\}$	q_2	\emptyset	$\{q_2\}$
*	q_3	\emptyset	\emptyset	$\{q_3\}$	q_3	$\{q_5\}$	$\{q_3, q_5\}$
	q_4	\emptyset	$\{q_3\}$	\emptyset	q_4	\emptyset	$\{q_4\}$
	q_5	\emptyset	\emptyset	\emptyset	q_5	\emptyset	$\{q_5\}$

DFA Transition Table for Fig. 2.22 in p. 79.

	$\varepsilon^* \circ \delta^I \circ \varepsilon^*$	+, -	.	d
\rightarrow	$\{q_0, q_1\}$	$\{q_1\}$	$\{q_2\}$	$\{q_1, q_4\}$
	$\{q_1\}$	\emptyset	$\{q_2\}$	$\{q_1, q_4\}$
	$\{q_2\}$	\emptyset	\emptyset	$\{q_3, q_5\}$
	$\{q_1, q_4\}$	\emptyset	$\{q_2, q_3, q_5\}$	$\{q_1, q_4\}$
*	$\{q_3, q_5\}$	\emptyset	\emptyset	$\{q_3, q_5\}$
*	$\{q_2, q_3, q_5\}$	\emptyset	\emptyset	$\{q_3, q_5\}$

2.A Extended Finite Automata(XFA)

$X = (Q, T, q_0, \delta, F)$ is an **eXtended Finite state Automata(XFA)**, if

$$\delta: Q \times T^* \rightarrow 2^Q.$$

Given an XFA $X = (Q_X, T, q_0, \delta_X, F)$, **construct**

an **equivalent ε -NFA $E = (Q_E, T, q_0, \delta_E, F)$ such that $L(X) = L(E)$.**

Construction algorithm

$Q_E := Q_X; \delta_E := \emptyset;$

for $\forall (\delta_X(q, x) = P) \in \delta_X$ where $x = a_1a_2\dots a_n$ **do**

if $0 \leq n \leq 1 \rightarrow \delta_E := \delta_E \cup \{\delta_E(q, x) = P\}$ where $x \in \Sigma \cup \{\varepsilon\}$

$| n \geq 2 \rightarrow Q_E := Q_E \cup \{p_1\}; \delta_E := \delta_E \cup \{\delta_E(q, a_1) = \{p_1\}\};$

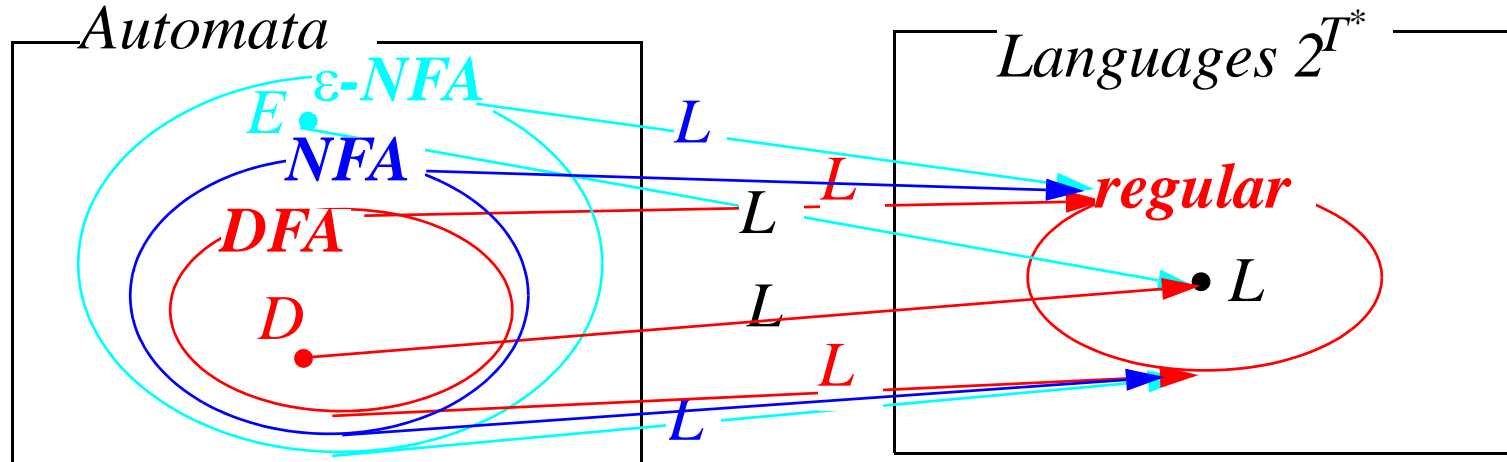
for $2 \leq \forall i < n$ **do** $Q_E := Q_E \cup \{p_i\}; \delta_E := \delta_E \cup \{\delta_E(p_{i-1}, a_i) = \{p_i\}\}$ **od**;

$\delta_E := \delta_E \cup \{\delta_E(p_{n-1}, a_n) = P\}$ where $Q_X \cap \{p_1, p_2, \dots, p_{n-1}\} \neq \emptyset$

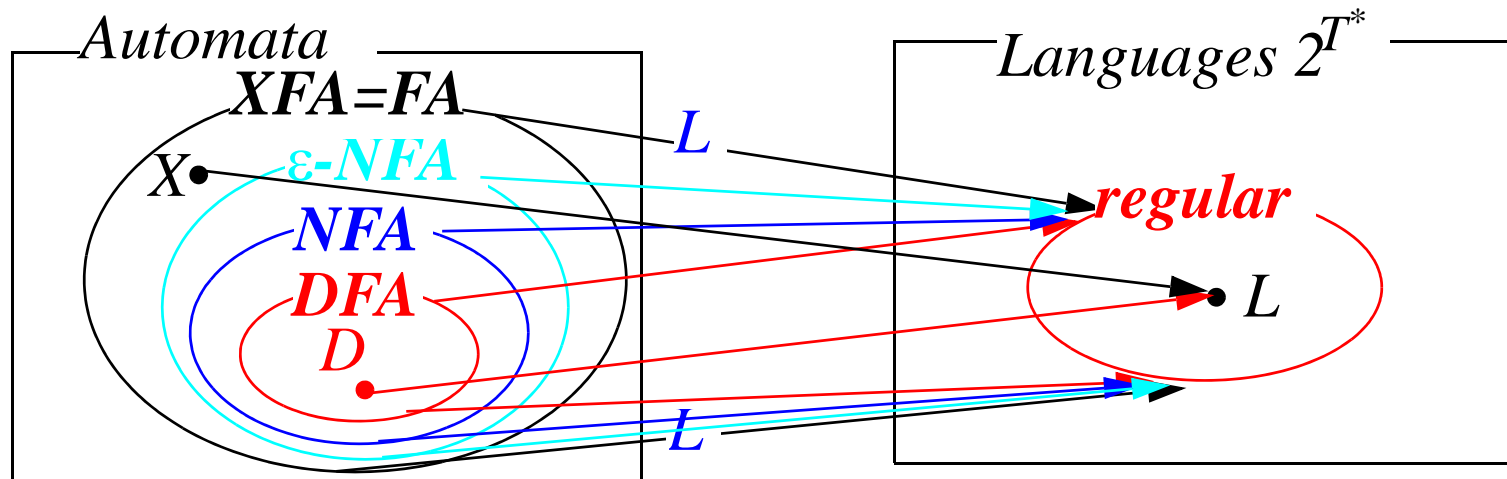
fi

od

ϵ -NFA's = NFA's = DFA's = *Class of regular languages*



XFA's = ϵ -NFA's = NFA's = DFA's = *Class of regular languages* = FA's



The following **six** statements are **equivalent**,

1. A language L is **regular**.

2. $L = L(D)$ for some DFA D where $\delta: Q \times T \rightarrow Q$.

3. $L = L(P)$ for some DFA P where $\delta: Q \times T \rightarrow Q \cup \{\emptyset\}$.
with partial function δ .

4. $L = L(N)$ for some NFA N where $\delta: Q \times T \rightarrow 2^Q$.

5. $L = L(E)$ for some ε -NFA E where $\delta: Q \times (\{\varepsilon\} \cup T) \rightarrow 2^Q$.

6. $L = L(X)$ for some XFA X where $\delta: Q \times T^* \rightarrow 2^Q$.

The following **two** statements are **equivalent**,

1. A language L is **regular**.

2. $L = L(A)$ for some FA A where $\delta: Q \times T^* \rightarrow 2^Q$.

We've changed the definition of FA from DFA to XFA.

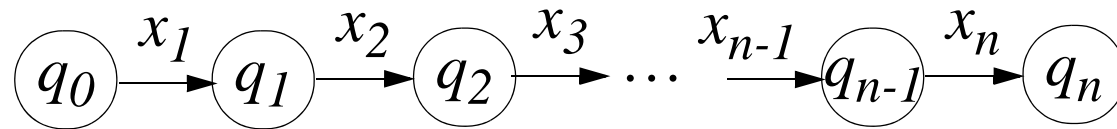
2.B Configuration rewriting system for FA

Let $A = (Q, T, \delta, q_0, F)$ be a Finite automata where $\delta: Q \times T^* \rightarrow 2^Q$. Then

A **configuration rewriting system** $R_A = (Q \times T^*, \rightarrow)$ on $Q \times T^*$ is

$\rightarrow = \{(q, x) \rightarrow (p, \varepsilon) \mid p \in \delta(q, x)\}$. $(q, x), (p, \varepsilon) \in Q \times T^*$: **configurations**

Assume $x = x_1x_2\dots x_n \in T^*$ and $1 \leq \forall i \leq n: q_i \in \delta(q_{i-1}, x_i)$. Then



$$\begin{aligned} \delta(\dots\delta(\delta(q_0, x_1), x_2), \dots, x_{n-1}), x_n) &= q_1 \in \delta(q_0, x_1) \delta(\delta(\dots\delta(q_1, x_2), \dots, x_{n-1}), x_n) = \\ \dots &= \delta(q_{n-2}, x_{n-1}), x_n) = q_{n-1} \in \delta(q_{n-2}, x_{n-1}) \delta(q_{n-1}, x_n) = q_n \in \delta(q_{n-1}, x_n) q_n. \end{aligned}$$

$$\begin{aligned} (q_0, x_1x_2\dots x_{n-1}x_n) &\Rightarrow (q_0, x_1) \rightarrow (q_1, \varepsilon) (q_1, x_2\dots x_{n-1}x_n) \Rightarrow \\ \dots &\Rightarrow (q_{n-2}, x_{n-1}x_n) \Rightarrow (q_{n-2}, x_{n-1}) \rightarrow (q_{n-1}, \varepsilon) (q_{n-1}, x_n) \Rightarrow (q_{n-1}, x_n) \rightarrow (q_n, \varepsilon) (q_n, \varepsilon). \end{aligned}$$

$$L(R_A) = \{x \in T^* \mid (q_0, x) \Rightarrow^* (f, \varepsilon), f \in F\}.$$

Read this page for the *minimal state DFA TBD* in Chap. 4.

Consider a language $L \subseteq T^*$ and a **binary relation** R_L on T^* where

$x, y \in \Sigma^*: x R_L y$, if $\forall z \in T^*: xz, yz \in L$ or $xz, yz \notin L$.

Then R_L is an **equivalent**(proof?) **binary relation** on T^* .

Consider a DFA $M = (Q, T, \delta, q_0, F)$ and a **binary relation** R_M on T^*

$x, y \in \Sigma^*: x R_M y$, if $\delta^*(q_0, x) = \delta^*(q_0, y)$. Then $Par_{R_M}(\Sigma^*) \cong Q$.

Compare two equivalent relation on T^* , R_L and R_M where $L = L(M)$.

$|Par_{R_L}(T^*)| \leq |Par_{R_M}(T^*)|$ in general.

If $|Par_{R_L}(T^*)| = |Par_{R_{M'}}(T^*)|$ for some $M' = (Q', T, \delta', q_0', F')$.

M' is a **minimal state DFA** that accepting L .